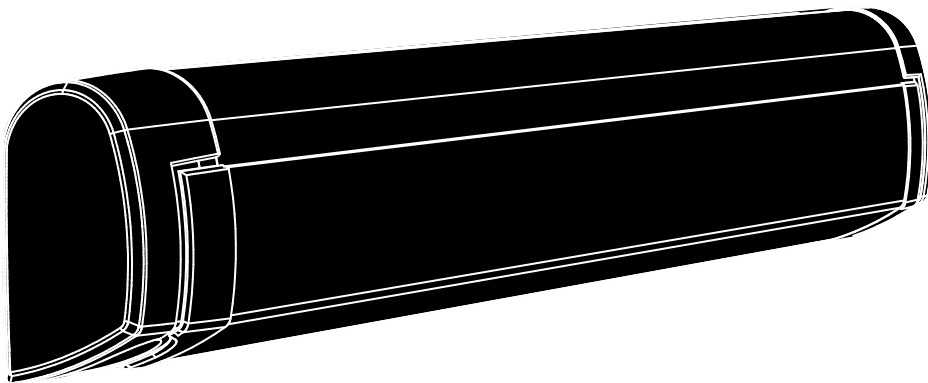




**Thule CROWN  
5200**

**➤ Instructions**



---

Manufactured for



**LIPPERT**  
COMPONENTS®

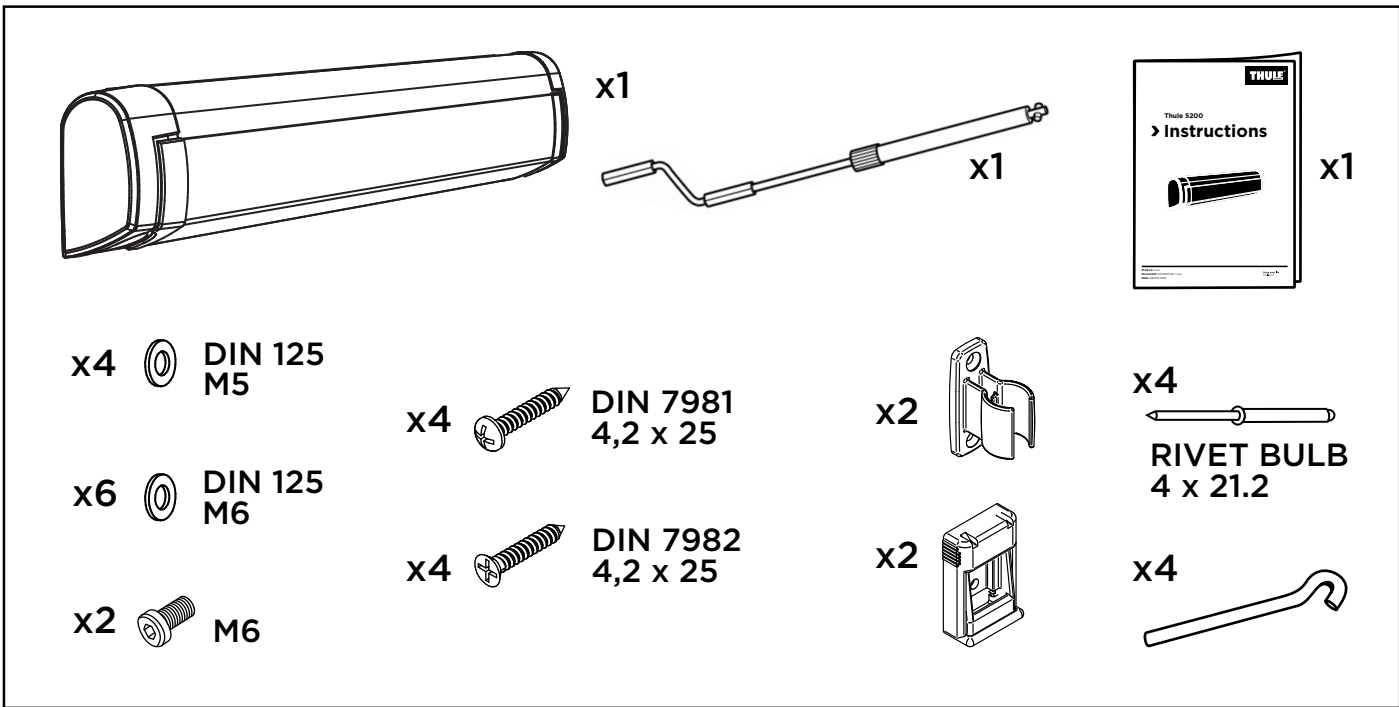
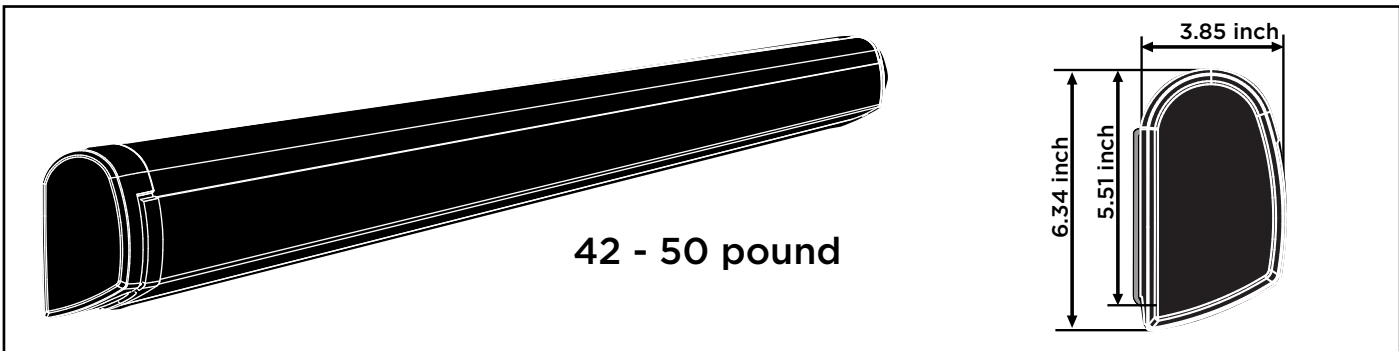
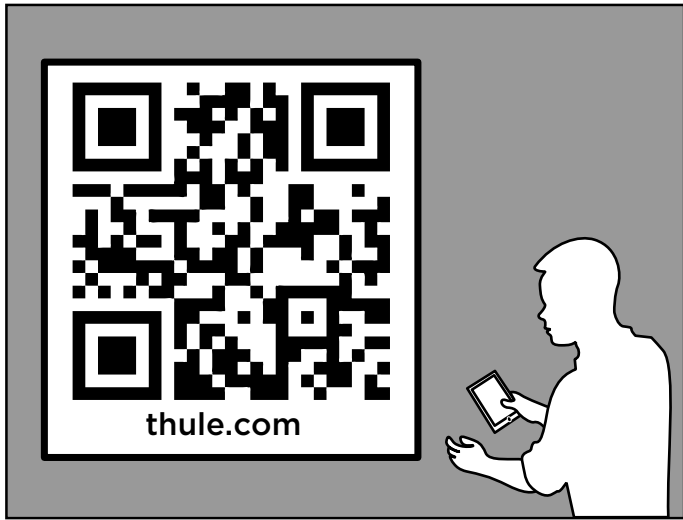
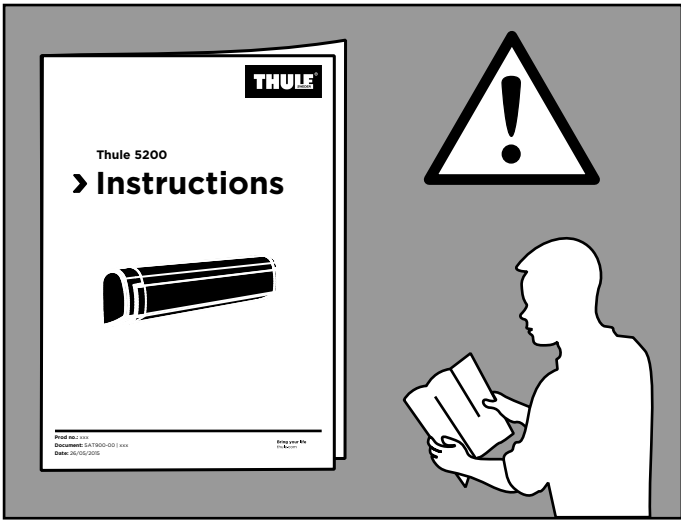
---

**Prod no.:** .

**Document:** 5AT909-01 | 3380042400

**Date:** 07/12/2016

**Bring your life**  
thule.com

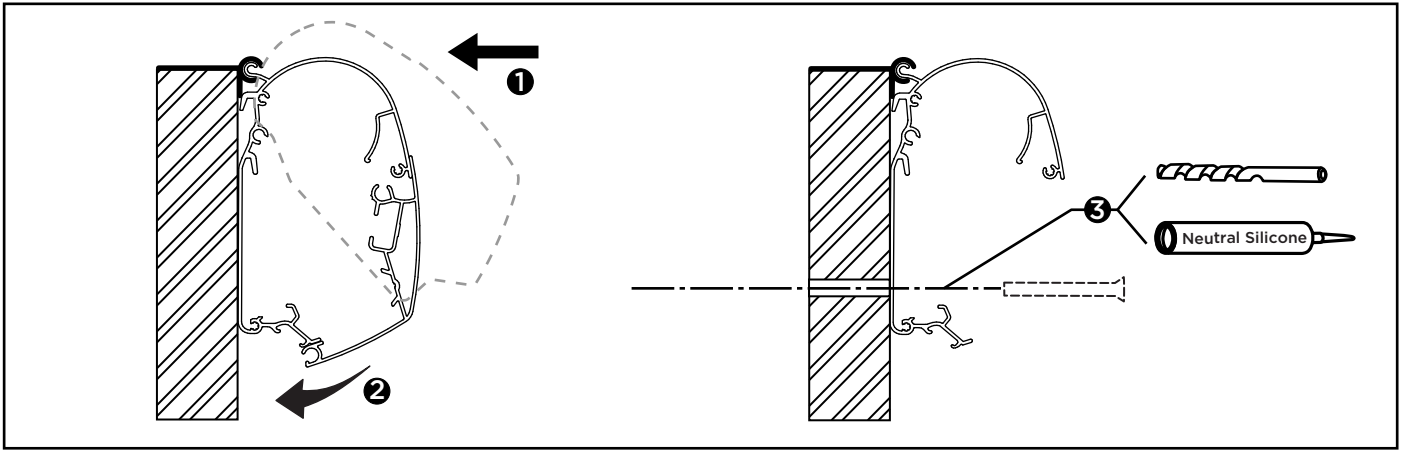
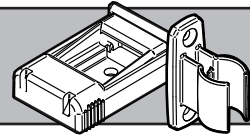


The contents of this manual are proprietary and copyright protected by Lippert Components, Inc. ("LCI"). LCI prohibits the copying or dissemination of portions of this manual unless prior written consent from an authorized LCI representative has been provided. Any unauthorized use shall void any applicable warranty. The information contained in this manual is subject to change without notice and at the sole discretion of LCI. Revised editions are available for free download from [lippertcomponents.com](http://lippertcomponents.com).

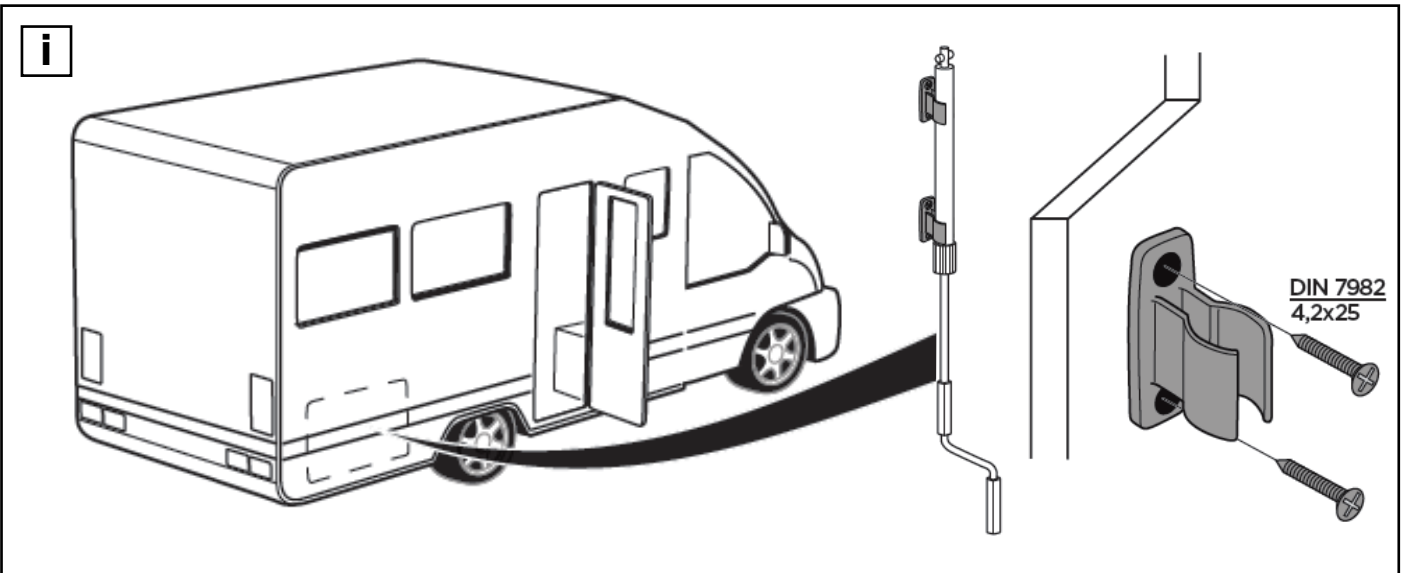
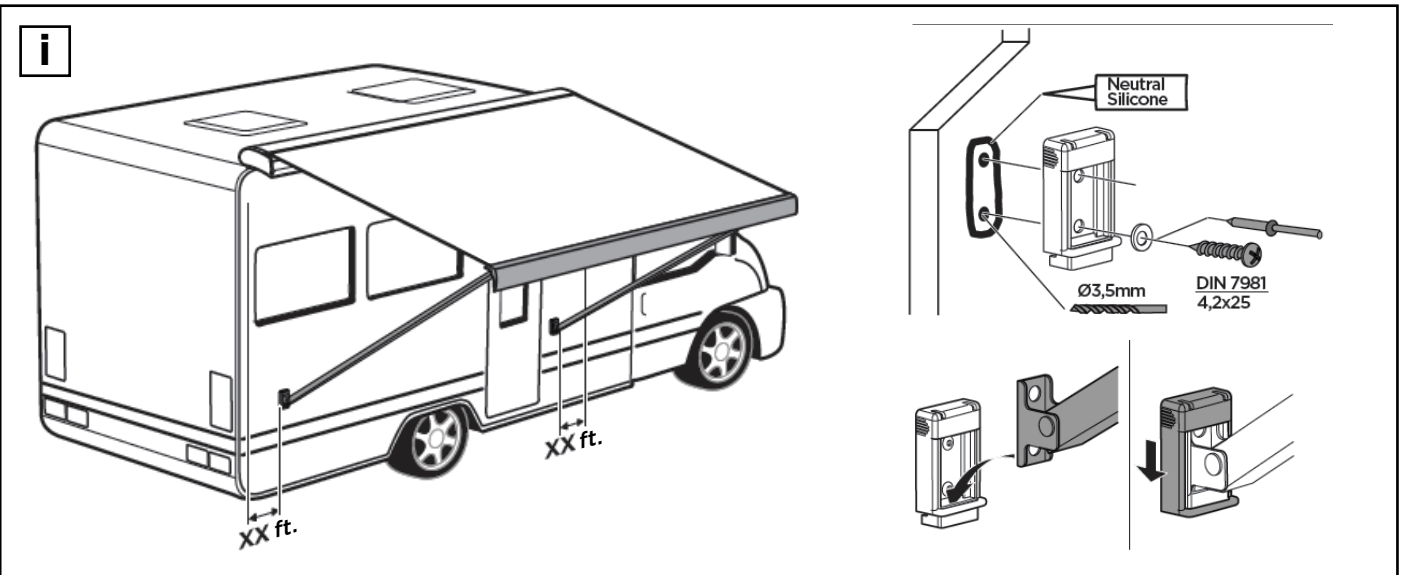
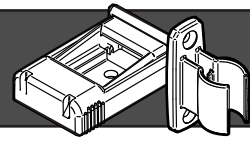
Please recycle all obsolete materials.

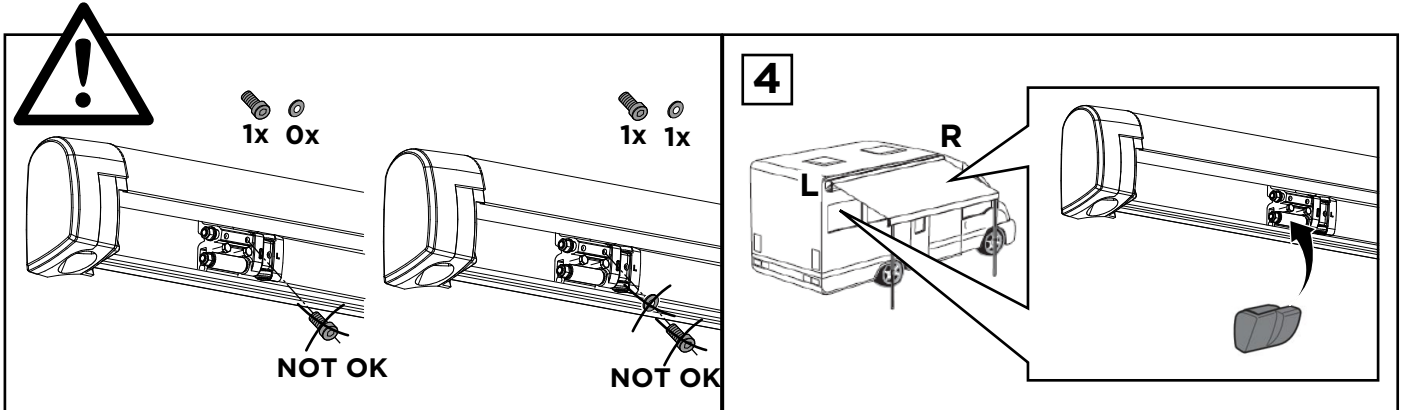
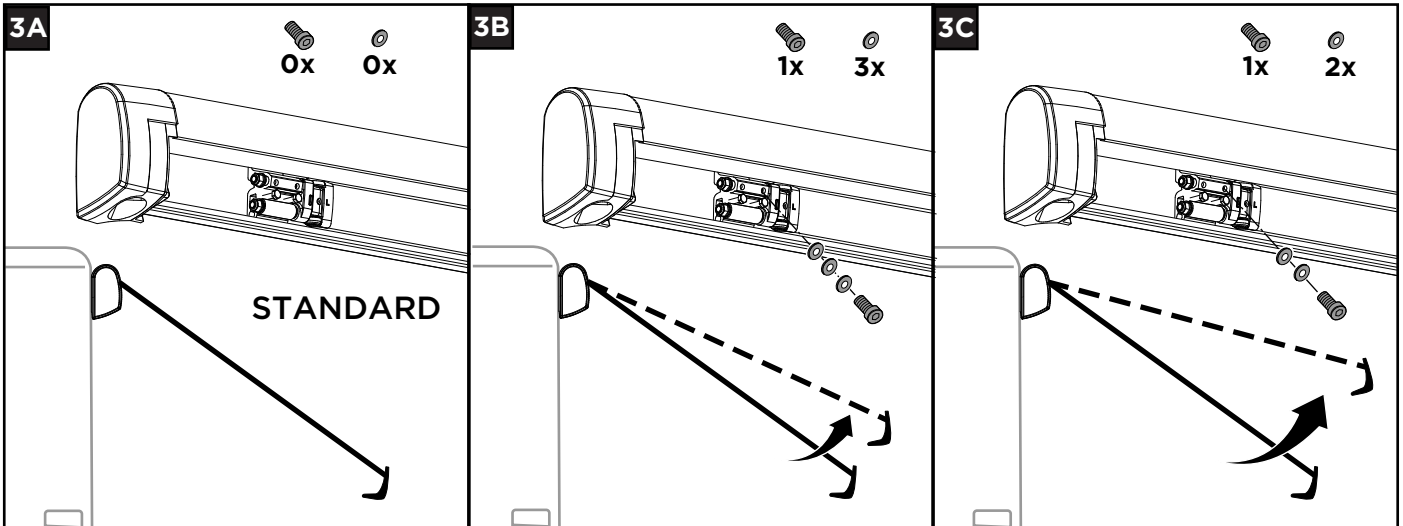
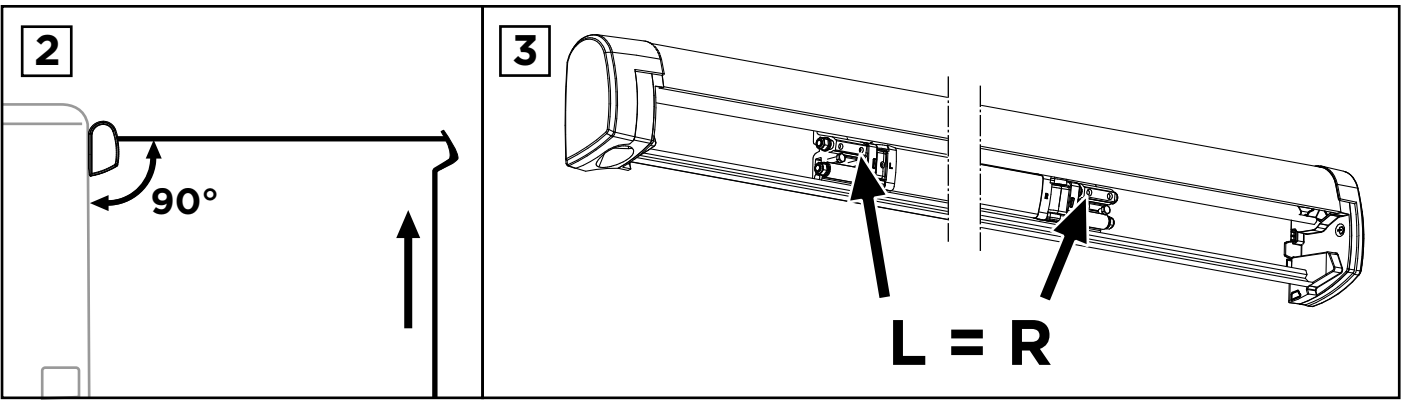
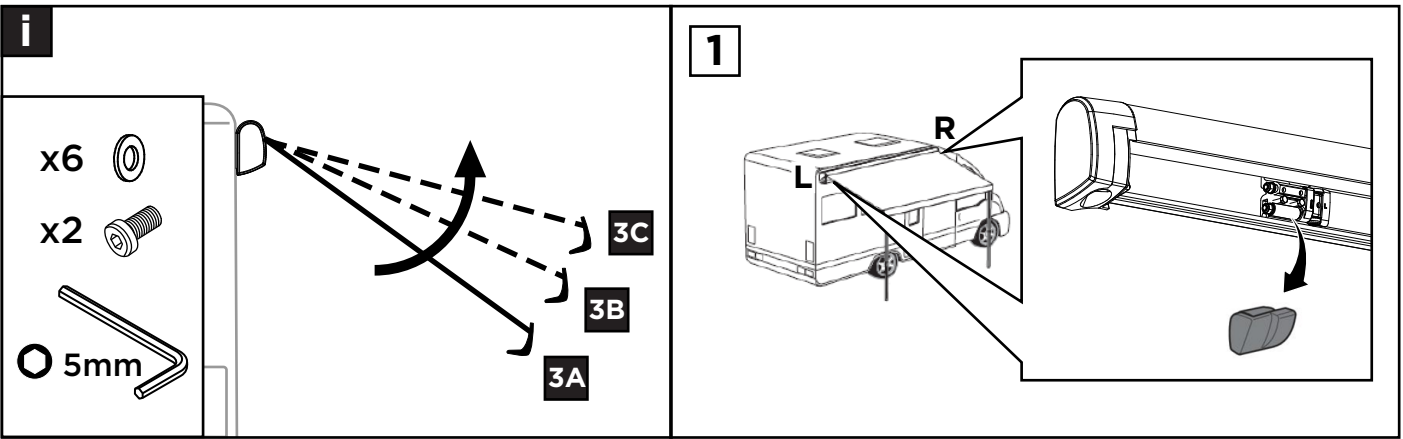
For all concerns or questions, please contact  
 Lippert Components, Inc.  
 574-537-8900 | [lippertcomponents.com](http://lippertcomponents.com) | [customerservice@lci.com](mailto:customerservice@lci.com)

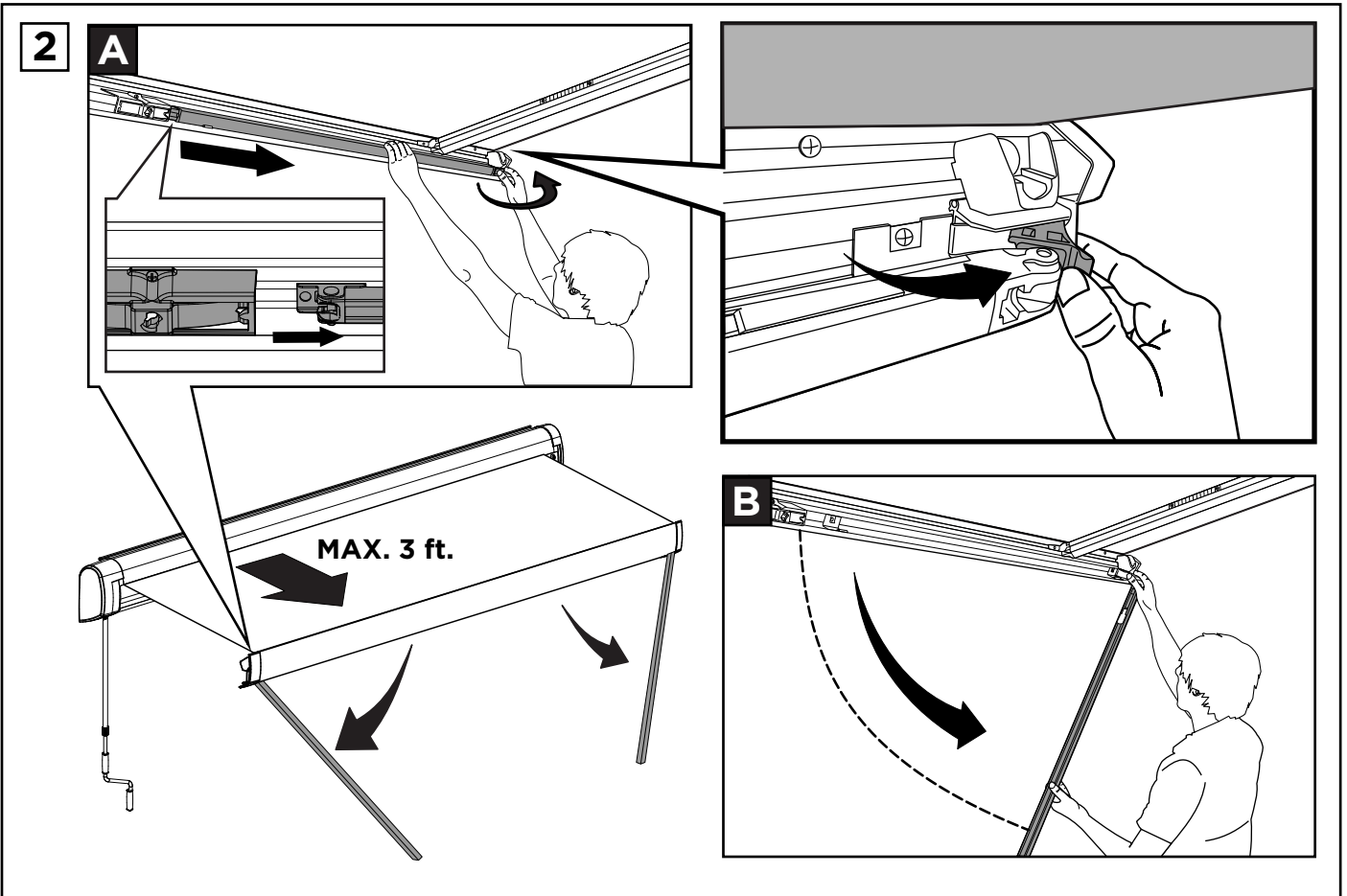
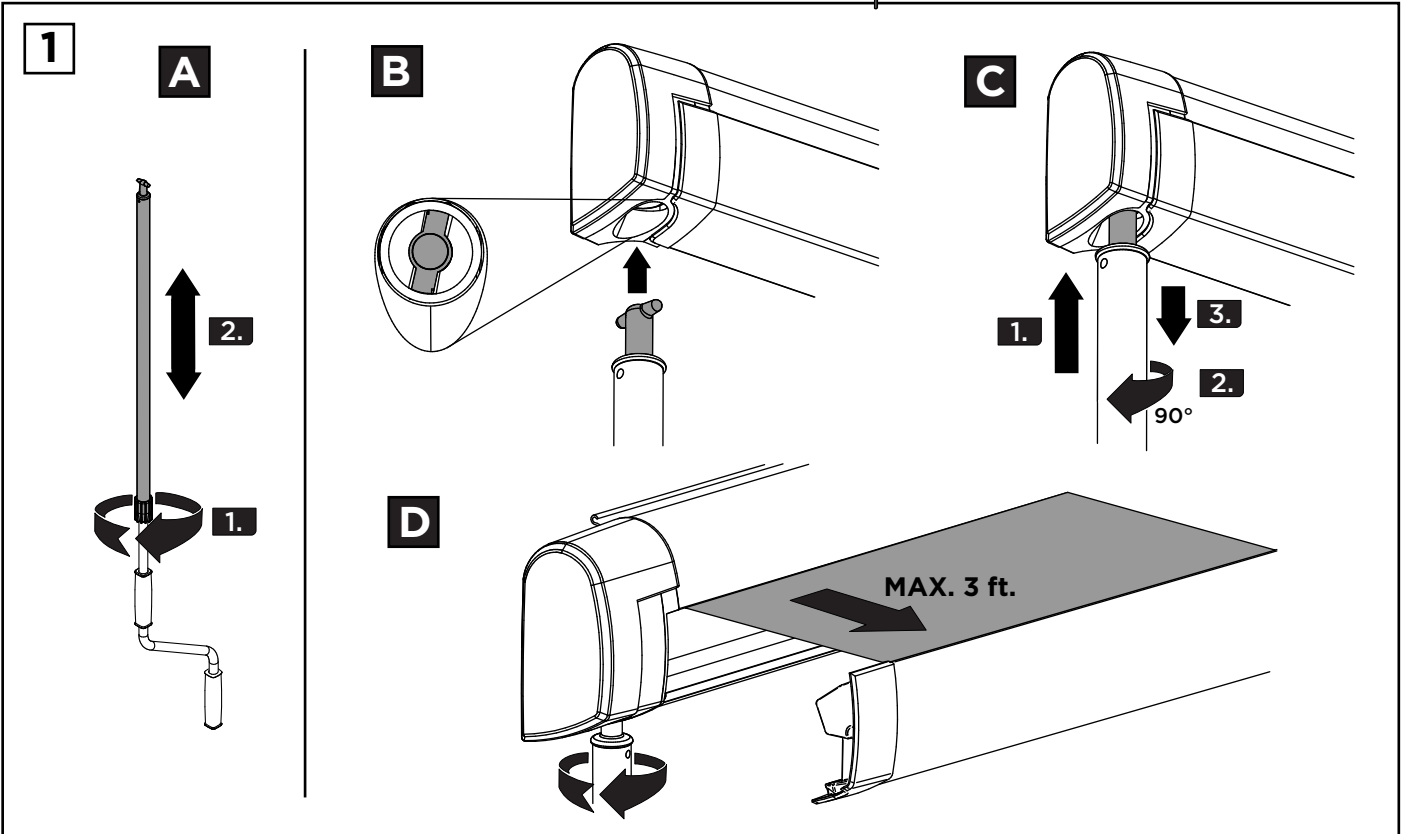
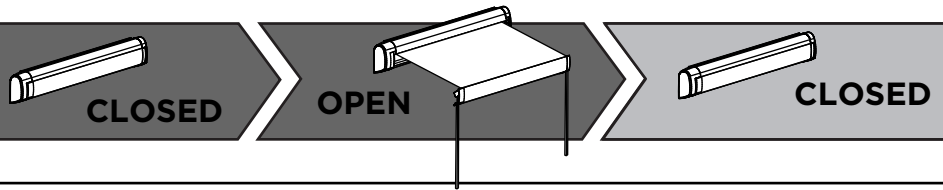
# INSTALLATION



# INSTALLATION



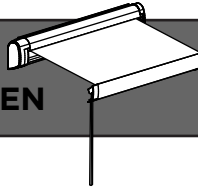






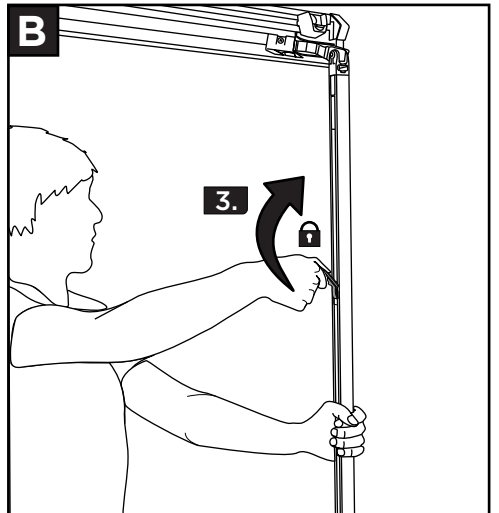
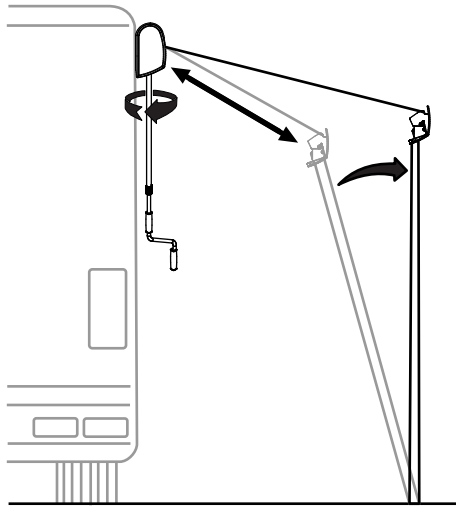
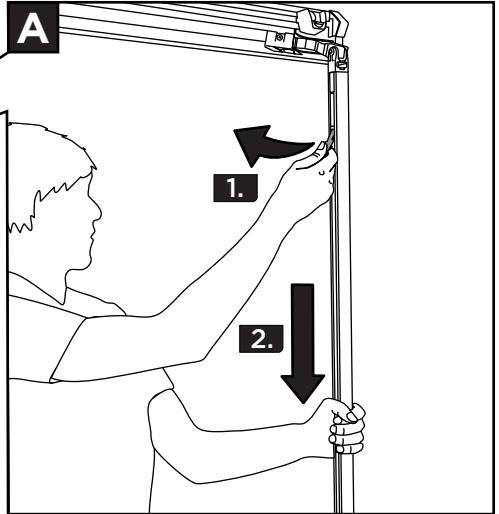
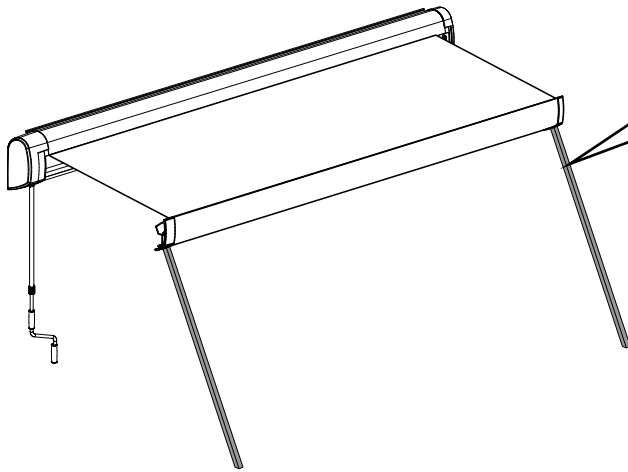
**CLOSED**

**OPEN**

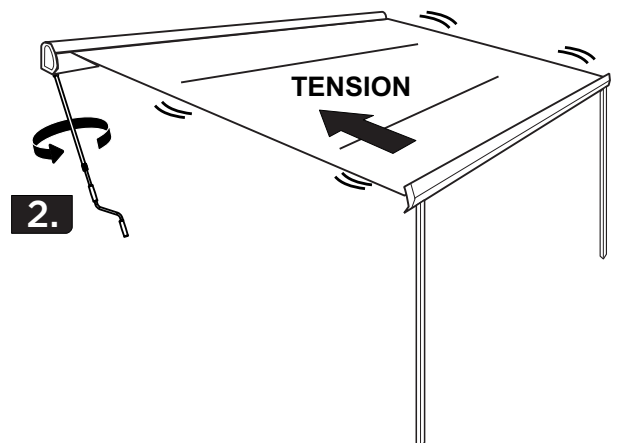
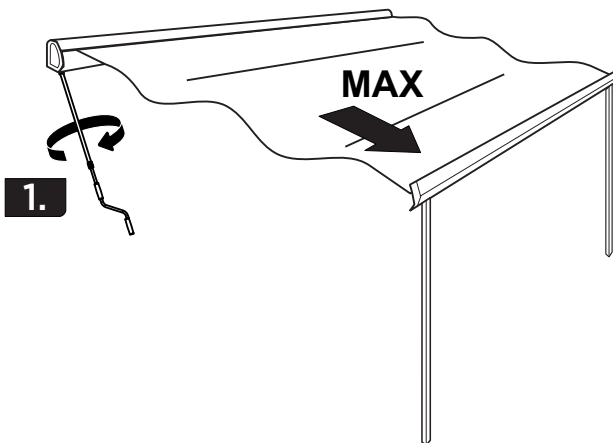


**CLOSED**

**3**



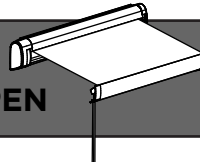
**4**



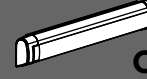
# USER MANUAL



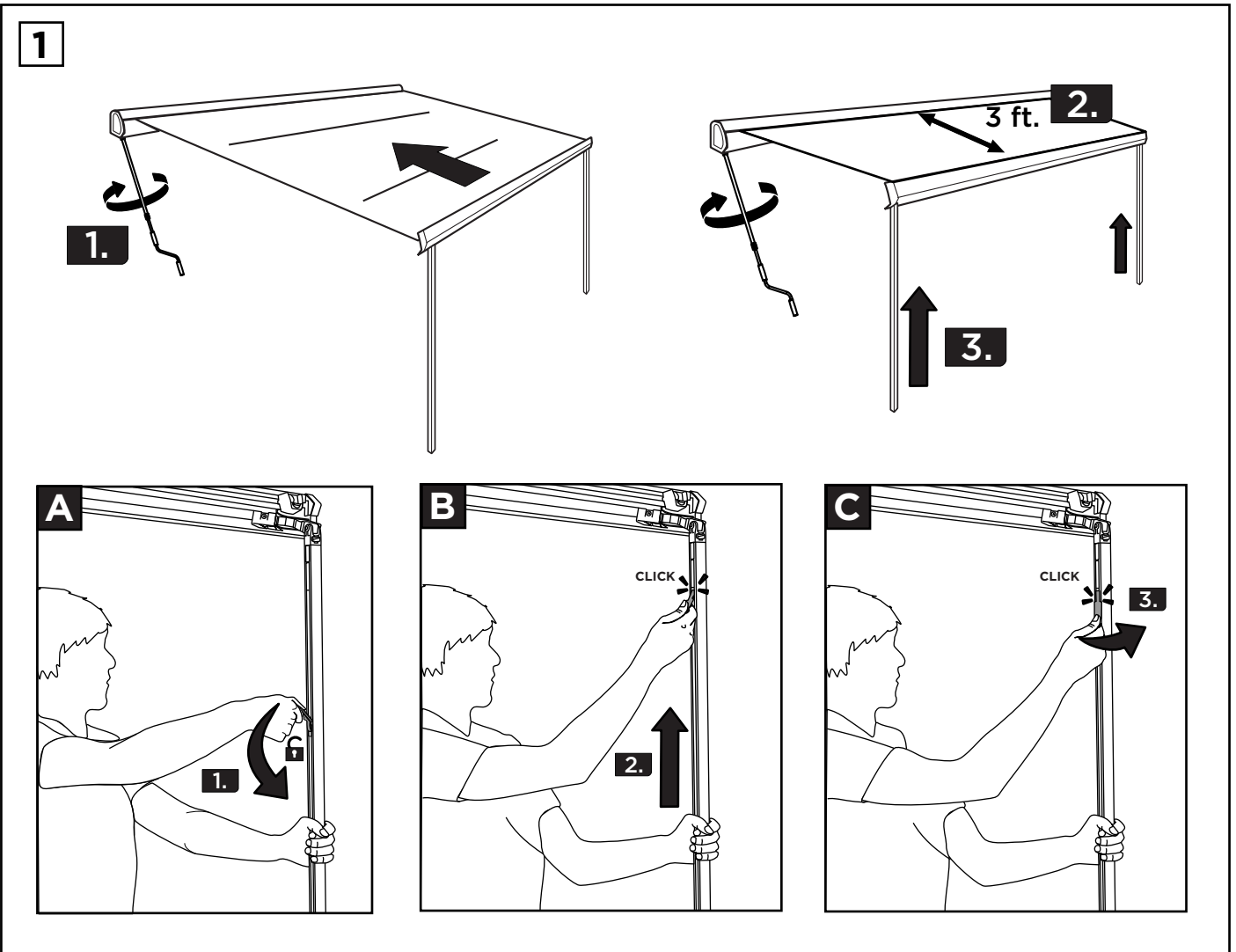
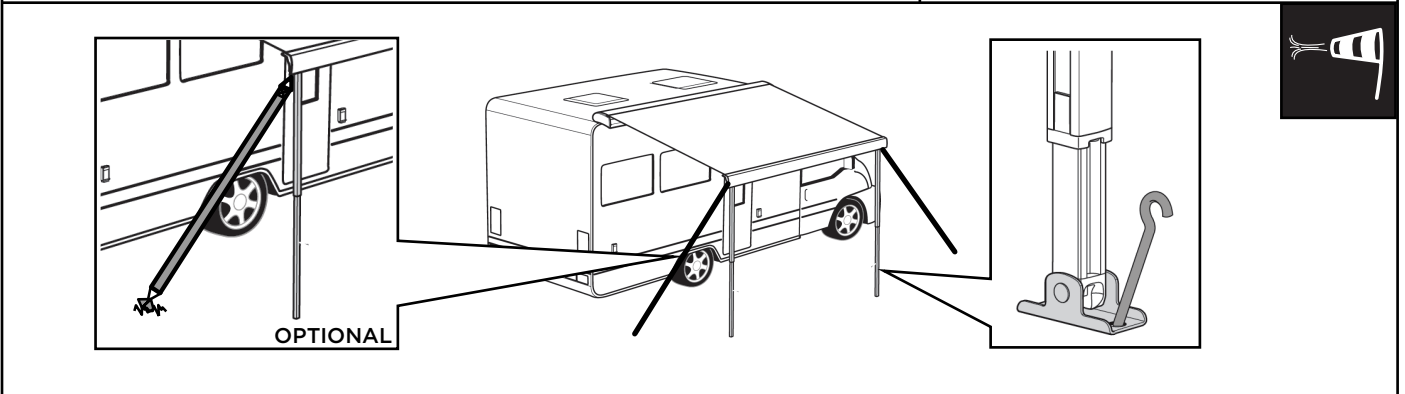
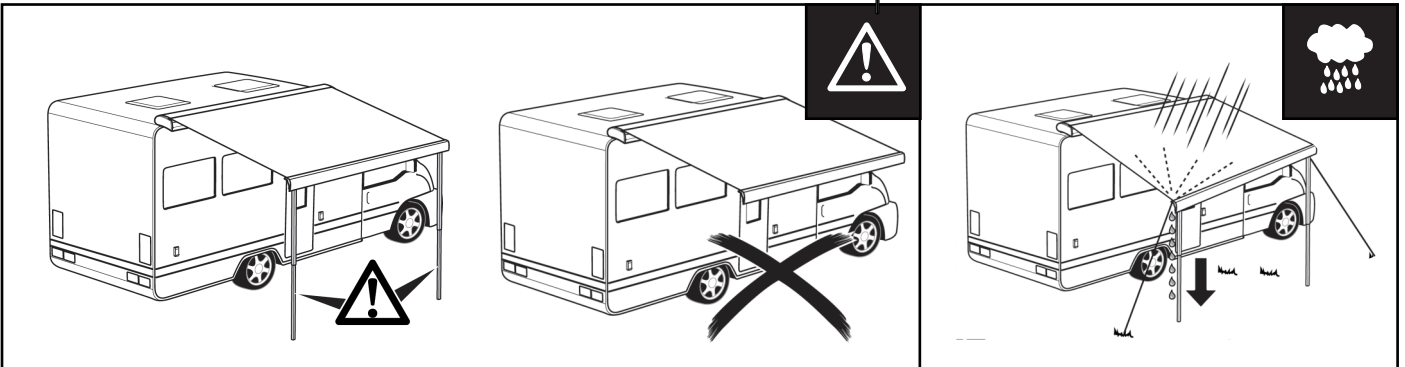
CLOSED



OPEN

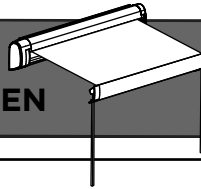


CLOSED

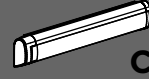




**CLOSED**

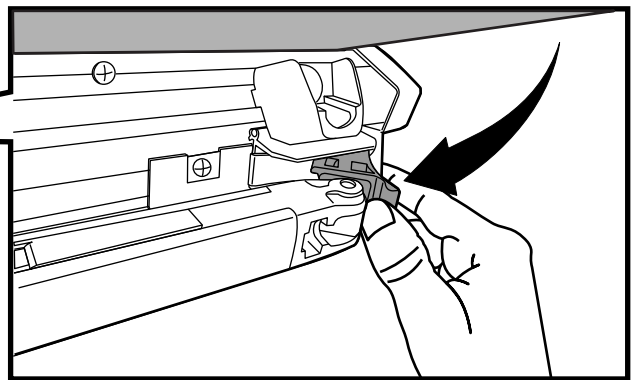
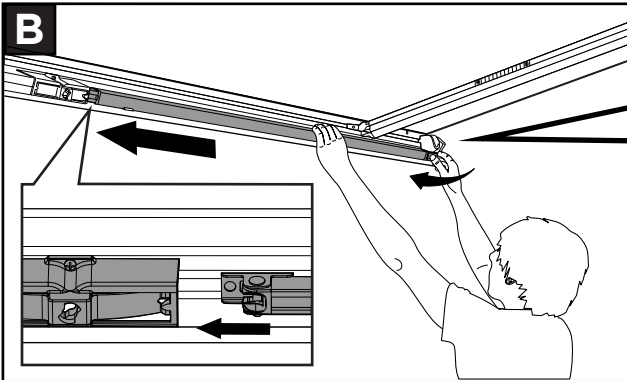
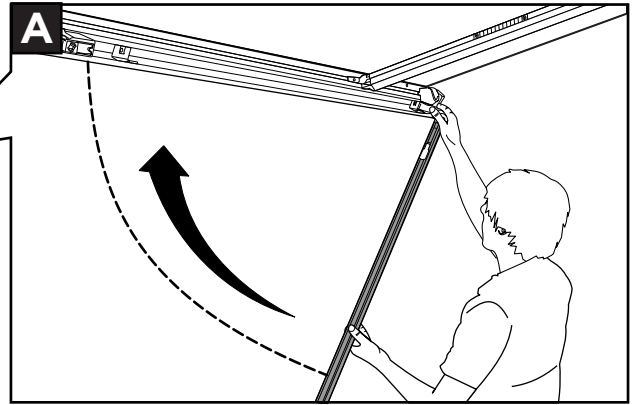
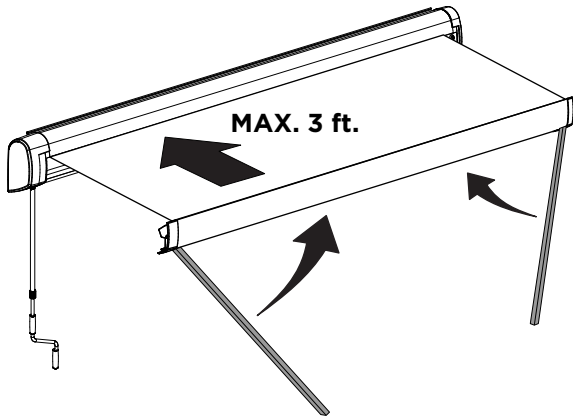


**OPEN**



**CLOSED**

**2**



**3**

